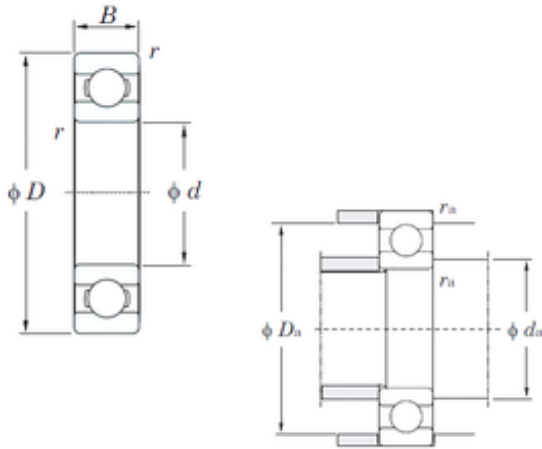




Korean motorcyclist Co., Ltd

Long Using Life Koyo NSK SKF Deep Groove Ball Bearings 16008 16010 16012 2RS Zz C3



Bearing No. 16008

16008 Bearing 2D drawings and 3D CAD models

Size	40x68x9 mm
Bore Diameter	40 mm
Outer Diameter	68 mm
Width	9 mm
d	40 mm
D	68 mm
B	9 mm
C	9 mm
r min.	0,3 mm
da min.	42 mm
Da max.	66 mm
ra max.	0,3 mm
Weight	0,125 Kg
Basic dynamic load rating (C)	12,6 kN
Basic static load rating (C0)	9,65 kN
(Grease) Lubrication Speed	9800 r/min
(Oil) Lubrication Speed	12000 r/min
Category	Single Row Ball Bearings
Inventory	0.0
Manufacturer Name	KOYO
Minimum Buy Quantity	N/A
Weight / Kilogram	0
Product Group	B00308
Enclosure	Open
Precision Class	ABEC 1 ISO P0



Korean motorcyclist Co., Ltd

Maximum Capacity / Filling Slot	No
Rolling Element	Ball Bearing
Snap Ring	No
Internal Special Features	No
Cage Material	Steel
Internal Clearance	C0-Medium
Inch - Metric	Metric
Long Description	40MM Bore; 68MM Outside Diameter; 9MM Outer Race Width; Open; Ball Bearing; ABEC 1 ISO P0; No Filling Slot; No Snap Ring; No Internal Special Features; C0-Medium Internal Clearance; Steel Cage
Other Features	Deep Groove
Category	Single Row Ball Bearing
UNSPSC	31171504
Harmonized Tariff Code	8482.10.50.68
Noun	Bearing
Keyword String	Ball
Manufacturer URL	http://www.koyousa.com
Weight / LBS	0.2755
Bore	1.575 Inch 40 Millimeter
Outside Diameter	2.677 Inch 68 Millimeter
Inner Race Width	0 Inch 0 Millimeter
Outer Race Width	0.354 Inch 9 Millimeter
Bearing No.	16008
r(min)	0.3
Cr	15.8
C0r	9.65
Cu	0.530
f0	16.0



Korean motorcyclist Co., Ltd

Grease lub.	9800
Oil lub.	12000
da(min)	42
Da(max)	66
ra(max)	0.3
(Refer.)Mass(kg)	0.125