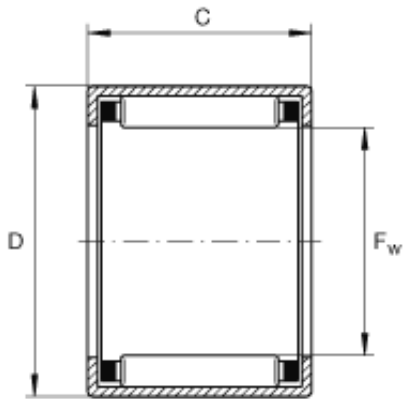




# Korean motorcyclist Co., Ltd



## INA SCH108 Drawn Cup Needle Roller Bearings

Bearing No. SCH108

SCH108 Bearing 2D drawings and 3D CAD models

Size	15.875x22.225x12.7 mm
Bore Diameter	15,875 mm
Outer Diameter	22,225 mm
Width	12,7 mm
$F_w$	5/8 inch
$F_w$	15,875 mm
D	0,875 inch
D	22,225 mm
C	0,5 inch
C	12,7 mm
m	0,028 lbs / Weight
m	13 g / Weight
$C_r$	2250 lbf / Dynamic load rating (radial)
$C_r$	10000 N / Dynamic load rating (radial)
$C_{0r}$	2740 lbf / Static load rating (radial)
$C_{0r}$	12200 N / Static load rating (radial)
$n_G$	15300 1/min / Limiting speed
Category	Needle Non Thrust Roller Bearings
Inventory	0.0
Manufacturer Name	SCHAEFFLER GROUP
Minimum Buy Quantity	N/A



## Korean motorcyclist Co., Ltd

Weight / Kilogram	0.01
EAN	4012802070910
Product Group	B04144
Rolling Element	Needle Roller Bearing
Component	Roller Assembly with Outer Ring - No Inner Ring
Enclosure	Open
Self Aligning	No
Retainer	Yes
Number of Rows of Rollers	Single Row
Separable	No
Closed End	No
Inch - Metric	Inch
Relubricatable	No
Thrust Bearing	No
Long Description	5/8" Bore; 7/8" Outside Diameter; 1/2" Width; Needle Roller Bearing; Roller Assembly with Outer Ring - No Inner Ring; Open; Not Self Aligning; Retainer; Single Row of Rollers; Not Separable
Other Features	2 Rib Outer Ring   Drawn Cup Bearing   Steel Cage
Category	Needle Non Thrust Roller Bearing
UNSPSC	31171512
Harmonized Tariff Code	8482.99.65.30
Noun	Roller Assembly with Outer Ring
Keyword String	Bearing Needle
Manufacturer URL	<a href="http://www.ina.com">http://www.ina.com</a>
Manufacturer Item Number	SCH108
Weight / LBS	0.028
Bore	0.625 Inch   15.875



## Korean motorcyclist Co., Ltd

	Millimeter
Outside Diameter	0.875 Inch   22.225 Millimeter
Width	0.5 Inch   12.7 Millimeter