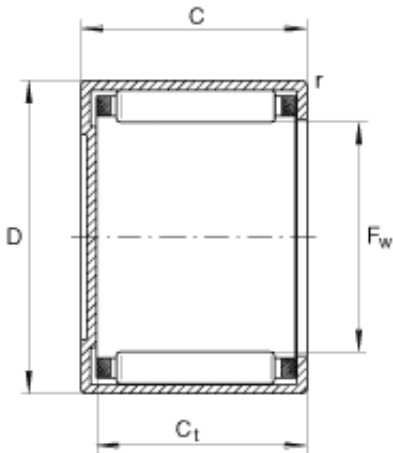




Korean motorcyclist Co., Ltd

INA BK0408 Drawn Cup Needle Roller Bearings

Bearing No. BK0408



BK0408 Bearing 2D drawings and 3D CAD models

Size	4x8x8 mm
Bore Diameter	4 mm
Outer Diameter	8 mm
Width	8 mm
F_w	4 mm
D	8 mm
C - 8 mm / Tolerance: -0,3	8 mm / Tolerance: 0,3
$C_{t\min}$	6,4 mm
r_{\min}	0,3 mm
m	2,1 g / Weight
C_r	1780 N / Dynamic load rating (radial)
C_{0r}	1310 N / Static load rating (radial)
C_{ur}	144 N / Fatigue limit load, radial
n_G	42500 1/min / Limiting speed
n_B	38500 1/min / Reference speed