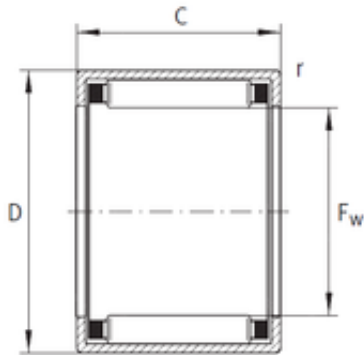




Korean motorcyclist Co., Ltd

INA SCE3216 Drawn Cup Needle Roller Bearings



Bearing No. SCE3216

Size	50.8x60.325x25.4 mm
Bore Diameter	50,8 mm
Outer Diameter	60,325 mm
Width	25,4 mm
Fw	50,8 mm
D	60,325 mm
C	25,4 mm
Weight	0,102 Kg
Basic dynamic load rating (C)	41,5 kN
Basic static load rating (C0)	80 kN
Category	Roller Bearings
Inventory	0.0
Manufacturer Name	SCHAEFFLER GROUP
Minimum Buy Quantity	N/A
Weight / Kilogram	0
EAN	4012802106411
Product Group	B04144

SCE3216 Bearing 2D drawings and 3D CAD models