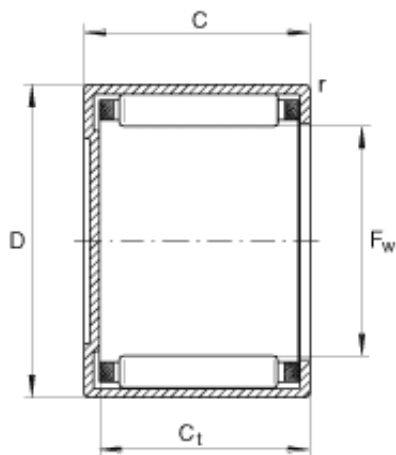




Korean motorcyclist Co., Ltd



BK1012 Bearing 2D drawings and 3D CAD models

INA BK1012 Drawn Cup Needle Roller Bearings

Bearing No. BK1012

Size	10x14x12 mm
Bore Diameter	10 mm
Outer Diameter	14 mm
Width	12 mm
F_w	10 mm
D	14 mm
C - 12 mm / Tolerance: -0,3	12 mm / Tolerance: 0,3
$C_{t\min}$	10,4 mm
r_{\min}	0,4 mm
m	5 g / Weight
C_r	5500 N / Dynamic load rating (radial)
C_{0r}	6800 N / Static load rating (radial)
C_{ur}	930 N / Fatigue limit load, radial
n_G	24300 1/min / Limiting speed
n_B	17100 1/min / Reference speed
	IR7X10X12 / Suitable inner ring
Category	Needle Non Thrust Roller Bearings
Inventory	0.0
Manufacturer Name	SCHAEFFLER GROUP
Minimum Buy Quantity	N/A



Korean motorcyclist Co., Ltd

Weight / Kilogram	0.01
EAN	4026677166616
Product Group	B04144
Rolling Element	Needle Roller Bearing
Component	Roller Assembly with Outer Ring - No Inner Ring
Enclosure	Open
Self Aligning	No
Retainer	Yes
Number of Rows of Rollers	Single Row
Separable	No
Closed End	Yes
Inch - Metric	Metric
Relubricatable	No
Thrust Bearing	No
Long Description	10MM Bore; 14MM Outside Diameter; 12MM Width; Needle Roller Bearing; Roller Assembly with Outer Ring - No Inner Ring; Open; Not Self Aligning; Retainer; Single Row of Rollers; Not Separable; Closed En
Other Features	1 Rib Outer Ring Drawn Cup Bearing Steel Cage
Category	Needle Non Thrust Roller Bearing
UNSPSC	31171512
Harmonized Tariff Code	8482.99.65.30
Noun	Roller Assembly with Outer Ring
Keyword String	Bearing Needle
Manufacturer URL	http://www.ina.com
Manufacturer Item Number	BK1012
Weight / LBS	0.011



Korean motorcyclist Co., Ltd

Outside Diameter	0.551 Inch 14 Millimeter
Bore	0.394 Inch 10 Millimeter
Width	0.472 Inch 12 Millimeter