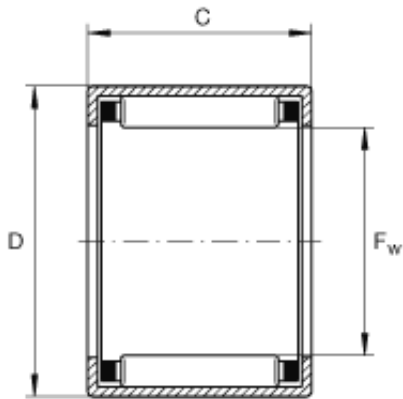




# Korean motorcyclist Co., Ltd

## INA SCE36 Drawn Cup Needle Roller Bearings



Bearing No. SCE36

SCE36 Bearing 2D drawings and 3D CAD models

Size	4.762x8.731x9.53 mm
Bore Diameter	4,762 mm
Outer Diameter	8,731 mm
Width	9,53 mm
$F_w$	3/16 inch
$F_w$	4,762 mm
D	0,344 inch
D	8,731 mm
C	0,375 inch
C	9,53 mm
m	0,004 lbs / Weight
m	2 g / Weight
$C_r$	610 lbf / Dynamic load rating (radial)
$C_r$	2750 N / Dynamic load rating (radial)
$C_{Or}$	530 lbf / Static load rating (radial)
$C_{Or}$	2370 N / Static load rating (radial)
$n_G$	40000 1/min / Limiting speed
$n_B$	32500 1/min / Reference speed
Category	Needle Non Thrust Roller Bearings
Inventory	0.0
Manufacturer Name	SCHAEFFLER GROUP



## Korean motorcyclist Co., Ltd

Minimum Buy Quantity	N/A
Weight / Kilogram	0.007
EAN	4054368250061
Product Group	B04144
Rolling Element	Needle Roller Bearing
Component	Roller Assembly with Outer Ring - No Inner Ring
Enclosure	Open
Self Aligning	No
Retainer	Yes
Number of Rows of Rollers	Single Row
Separable	No
Closed End	No
Inch - Metric	Inch
Relubricatable	No
Thrust Bearing	No
Long Description	3/16" Bore; 11/32" Outside Diameter; 3/8" Width; Needle Roller Bearing; Roller Assembly with Outer Ring - No Inner Ring; Open Enclosure; No Self Aligning; Yes Retainer; Single Row of Ro
Other Features	2 Rib Outer Ring   Drawn Cup Bearing   Steel Cage
Category	Needle Non Thrust Roller Bearing
UNSPSC	31171512
Harmonized Tariff Code	8482.40.00.00
Noun	Bearing
Keyword String	Needle
Manufacturer URL	<a href="http://www.ina.com">http://www.ina.com</a>
Manufacturer Item Number	SCE36
Weight / LBS	0.004



## Korean motorcyclist Co., Ltd

Width	0.375 Inch   9.525 Millimeter
Outside Diameter	0.344 Inch   8.738 Millimeter
Bore	0.188 Inch   4.775 Millimeter