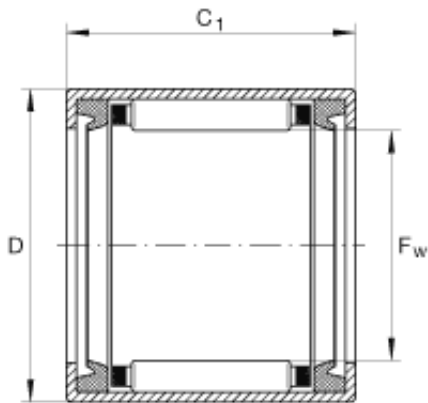




Korean motorcyclist Co., Ltd



INA SCE1010-PP Drawn Cup Needle Roller Bearings

Bearing No. SCE1010-PP

SCE1010-PP Bearing 2D drawings and 3D CAD models

Size	15.875x20.638x15.875 mm
Bore Diameter	15,875 mm
Outer Diameter	20,638 mm
Width	15,875 mm
F_w	5/8 inch
F_w	15,875 mm
D	0,813 inch
D	20,638 mm
C_1	0,625 inch
C_1	15,875 mm
m	0,022 lbs / Weight
m	10 g / Weight
C_r	1820 lbf / Dynamic load rating (radial)
C_r	8100 N / Dynamic load rating (radial)
C_{Or}	2700 lbf / Static load rating (radial)
C_{Or}	12000 N / Static load rating (radial)
n_G	16000 1/min / Limiting speed
n_B	0,001 1/min / Reference speed
Category	Needle Non Thrust Roller Bearings
Inventory	0.0



Korean motorcyclist Co., Ltd

Manufacturer Name	SCHAEFFLER GROUP
Minimum Buy Quantity	N/A
Weight / Kilogram	0.015
EAN	4012802069549
Product Group	B04144
Rolling Element	Needle Roller Bearing
Component	Roller Assembly with Outer Ring - No Inner Ring
Enclosure	2 Seals
Self Aligning	No
Retainer	Yes
Number of Rows of Rollers	Single Row
Separable	No
Closed End	No
Inch - Metric	Inch
Relubricatable	No
Thrust Bearing	No
Long Description	5/8" Bore; 13/16" Outside Diameter; 5/8" Width; Needle Roller Bearing; Roller Assembly with Outer Ring - No Inner Ring; 2 Seals Enclosure; No Self Aligning; Yes Retainer; Single Row of
Other Features	2 Rib Outer Ring Drawn Cup Bearing Steel Cage
Category	Needle Non Thrust Roller Bearing
UNSPSC	31171512
Harmonized Tariff Code	8482.40.00.00
Noun	Bearing
Keyword String	Needle
Manufacturer URL	http://www.ina.com
Manufacturer Item Number	SCE1010PP



Korean motorcyclist Co., Ltd

Weight / LBS	0.022
Width	0.625 Inch 15.875 Millimeter
Outside Diameter	0.813 Inch 20.65 Millimeter
Bore	0.625 Inch 15.875 Millimeter