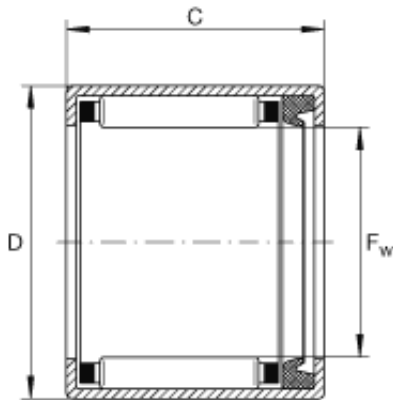




# Korean motorcyclist Co., Ltd



## INA SCE48-P Drawn Cup Needle Roller Bearings

Bearing No. SCE48-P

SCE48-P Bearing 2D drawings and 3D CAD models

Size	6.35x11.112x12.7 mm
Bore Diameter	6,35 mm
Outer Diameter	11,112 mm
Width	12,7 mm
$F_w$	1/4 inch
$F_w$	6,35 mm
D	0,438 inch
D	11,112 mm
C	0,5 inch
C	12,7 mm
m	0,009 lbs / Weight
m	4 g / Weight
$C_r$	920 lbf / Dynamic load rating (radial)
$C_r$	4100 N / Dynamic load rating (radial)
$C_{0r}$	870 lbf / Static load rating (radial)
$C_{0r}$	3900 N / Static load rating (radial)
$n_G$	35000 1/min / Limiting speed
$n_B$	24800 1/min / Reference speed
Category	Needle Non Thrust Roller Bearings
Inventory	1.0



## Korean motorcyclist Co., Ltd

Manufacturer Name	SCHAEFFLER GROUP
Minimum Buy Quantity	N/A
Weight / Kilogram	0.009
EAN	4047643194396
Product Group	B04144
Rolling Element	Needle Roller Bearing
Component	Roller Assembly with Outer Ring - No Inner Ring
Enclosure	1 Seal
Self Aligning	No
Retainer	Yes
Number of Rows of Rollers	Single Row
Separable	No
Closed End	No
Inch - Metric	Inch
Relubricatable	No
Thrust Bearing	No
Long Description	1/4" Bore; 7/16" Outside Diameter; 1/2" Width; Needle Roller Bearing; Roller Assembly with Outer Ring - No Inner Ring; 1 Seal Enclosure; No Self Aligning; Yes Retainer; Single Row of Ro
Other Features	2 Rib Outer Ring   Drawn Cup Bearing   Steel Cage
Category	Needle Non Thrust Roller Bearing
UNSPSC	31171512
Harmonized Tariff Code	8482.40.00.00
Noun	Bearing
Keyword String	Needle
Manufacturer URL	<a href="http://www.ina.com">http://www.ina.com</a>
Manufacturer Item Number	SCE48P



## Korean motorcyclist Co., Ltd

Weight / LBS	0.009
Width	0.5 Inch   12.7 Millimeter
Bore	0.25 Inch   6.35 Millimeter
Outside Diameter	0.438 Inch   11.125 Millimeter