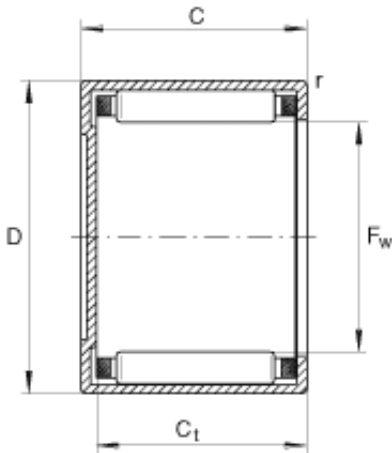




# Korean motorcyclist Co., Ltd



BK1210 Bearing 2D drawings and 3D CAD models

## INA BK1210 Drawn Cup Needle Roller Bearings

Bearing No. BK1210

Size	12x16x10 mm
Bore Diameter	12 mm
Outer Diameter	16 mm
Width	10 mm
$F_w$	12 mm
D	16 mm
C - 10 mm / Tolerance: -0,3	10 mm / Tolerance: 0,3
$C_{t\min}$	8,4 mm
$r_{\min}$	0,4 mm
m	5,2 g / Weight
$C_r$	4950 N / Dynamic load rating (radial)
$C_{0r}$	6200 N / Static load rating (radial)
$C_{ur}$	800 N / Fatigue limit load, radial
$n_G$	20700 1/min / Limiting speed
$n_B$	14800 1/min / Reference speed
	LR8X12X10,5 / Suitable inner ring
	IR8X12X10,5 / Suitable inner ring
Category	Needle Non Thrust Roller Bearings
Inventory	10.0



## Korean motorcyclist Co., Ltd

Manufacturer Name	SCHAEFFLER GROUP
Minimum Buy Quantity	N/A
Weight / Kilogram	0.006
EAN	4012802413922
Product Group	B04144
Rolling Element	Needle Roller Bearing
Component	Roller Assembly with Outer Ring - No Inner Ring
Enclosure	Open
Self Aligning	No
Retainer	Yes
Number of Rows of Rollers	Single Row
Separable	No
Closed End	Yes
Inch - Metric	Metric
Relubricatable	No
Thrust Bearing	No
Long Description	12MM Bore; 16MM Outside Diameter; 10MM Width; Needle Roller Bearing; Roller Assembly with Outer Ring - No Inner Ring; Open Enclosure; No Self Aligning; Retainer; Single Row of Rollers; No Separable; C
Other Features	1 Rib Outer Ring   Drawn Cup Bearing   Steel Cage
Category	Needle Non Thrust Roller Bearing
UNSPSC	31171512
Harmonized Tariff Code	8482.40.00.00
Noun	Bearing
Keyword String	Needle
Manufacturer URL	<a href="http://www.ina.com">http://www.ina.com</a>
Manufacturer Item Number	BK1210



## Korean motorcyclist Co., Ltd

Weight / LBS	0.01
Width	0.394 Inch   10 Millimeter
Outside Diameter	0.63 Inch   16 Millimeter
Bore	0.472 Inch   12 Millimeter