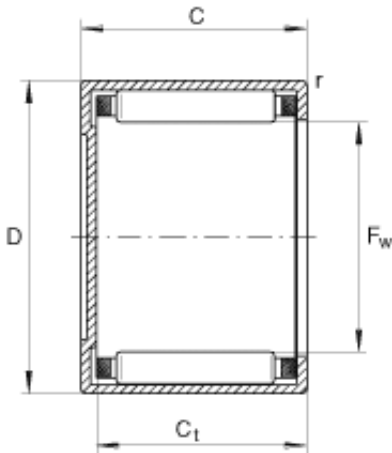




# Korean motorcyclist Co., Ltd



BK1812 Bearing 2D drawings and 3D CAD models

## INA BK1812 Drawn Cup Needle Roller Bearings

Bearing No. BK1812

Size	18x24x12 mm
Bore Diameter	18 mm
Outer Diameter	24 mm
Width	12 mm
$F_w$	18 mm
D	24 mm
C - 12 mm / Tolerance: -0,3	12 mm / Tolerance: 0,3
$C_{t\min}$	9,3 mm
$r_{\min}$	0,8 mm
m	15 g / Weight
$C_r$	8100 N / Dynamic load rating (radial)
$C_{0r}$	10900 N / Static load rating (radial)
$C_{ur}$	1300 N / Fatigue limit load, radial
$n_G$	14000 1/min / Limiting speed
$n_B$	9800 1/min / Reference speed
	LR15X18X12,5 / Suitable inner ring
Category	Needle Non Thrust Roller Bearings
Inventory	0.0
Manufacturer Name	SCHAEFFLER GROUP
Minimum Buy Quantity	N/A



## Korean motorcyclist Co., Ltd

Weight / Kilogram	0.01
EAN	4012802424881
Product Group	B04144
Rolling Element	Needle Roller Bearing
Component	Roller Assembly with Outer Ring - No Inner Ring
Enclosure	Open
Self Aligning	No
Retainer	Yes
Number of Rows of Rollers	Single Row
Separable	No
Closed End	Yes
Inch - Metric	Metric
Relubricatable	No
Thrust Bearing	No
Long Description	18MM Bore; 24MM Outside Diameter; 12MM Width; Needle Roller Bearing; Roller Assembly with Outer Ring - No Inner Ring; Open Enclosure; No Self Aligning; Retainer; Single Row of Rollers; No Separable; C
Other Features	1 Rib Outer Ring   Drawn Cup Bearing   Steel Cage
Category	Needle Non Thrust Roller Bearing
UNSPSC	31171512
Harmonized Tariff Code	8482.40.00.00
Noun	Bearing
Keyword String	Needle
Manufacturer URL	<a href="http://www.ina.com">http://www.ina.com</a>
Manufacturer Item Number	BK1812
Weight / LBS	0.029
Width	0.472 Inch   12 Millimeter



## Korean motorcyclist Co., Ltd

Outside Diameter	0.945 Inch   24 Millimeter
Bore	0.709 Inch   18 Millimeter