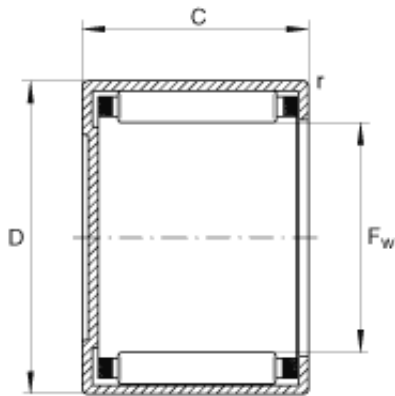




Korean motorcyclist Co., Ltd

INA BCE47 Drawn Cup Needle Roller Bearings



Bearing No. BCE47

BCE47 Bearing 2D drawings and 3D CAD models

Size	6.35x11.112x11.112 mm
Bore Diameter	6,35 mm
Outer Diameter	11,112 mm
Width	11,112 mm
F_w	1/4 inch
F_w	6,35 mm
D	0,437 inch
D	11,112 mm
C	0,437 inch
C	11,112 mm
m	0,009 lbs / Weight
m	4 g / Weight
C_r	920 lbf / Dynamic load rating (radial)
C_r	4100 N / Dynamic load rating (radial)
C_{Or}	900 lbf / Static load rating (radial)
C_{Or}	4000 N / Static load rating (radial)
n_G	31500 1/min / Limiting speed
n_B	23200 1/min / Reference speed
Category	Needle Non Thrust Roller Bearings
Inventory	0.0
Manufacturer Name	SCHAEFFLER GROUP



Korean motorcyclist Co., Ltd

Minimum Buy Quantity	N/A
Weight / Kilogram	0.011
EAN	4012802197488
Product Group	B04144
Rolling Element	Needle Roller Bearing
Component	Roller Assembly with Outer Ring - No Inner Ring
Enclosure	Open
Self Aligning	No
Retainer	Yes
Number of Rows of Rollers	Single Row
Separable	No
Closed End	Yes
Inch - Metric	Inch
Relubricatable	No
Thrust Bearing	No
Long Description	1/4" Bore; 7/16" Outside Diameter; 7/16" Width; Needle Roller Bearing; Roller Assembly with Outer Ring - No Inner Ring; Open Enclosure; No Self Aligning; Yes Retainer; Single Row of Rol
Other Features	1 Rib Outer Ring Drawn Cup Bearing Steel Cage
Category	Needle Non Thrust Roller Bearing
UNSPSC	31171512
Harmonized Tariff Code	8482.40.00.00
Noun	Bearing
Keyword String	Needle
Manufacturer URL	http://www.ina.com
Manufacturer Item Number	BCE47
Weight / LBS	0.009



Korean motorcyclist Co., Ltd

Width	0.438 Inch 11.125 Millimeter
Outside Diameter	0.438 Inch 11.125 Millimeter
Bore	0.25 Inch 6.35 Millimeter