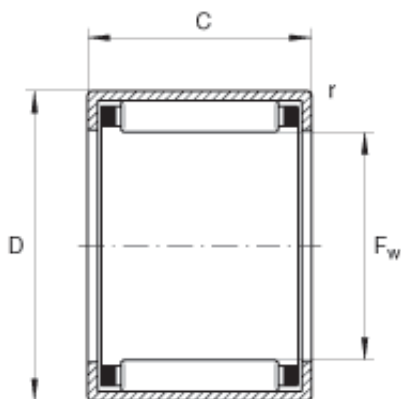




## Korean motorcyclist Co., Ltd



HK0709 Bearing 2D drawings and 3D CAD models

### INA HK0709 Drawn Cup Needle Roller Bearings

Bearing No. HK0709

Size	7x11x9 mm
Bore Diameter	7 mm
Outer Diameter	11 mm
Width	9 mm
$F_w$	7 mm
D	11 mm
C - 9 mm / Tolerance: -0,3	9 mm / Tolerance: 0,3
$r_{min}$	0,4 mm
m	2,6 g / Weight
$C_r$	3100 N / Dynamic load rating (radial)
$C_{0r}$	2950 N / Static load rating (radial)
$C_{ur}$	355 N / Fatigue limit load, radial
$n_G$	33000 1/min / Limiting speed
$n_B$	24000 1/min / Reference speed
Category	Needle Non Thrust Roller Bearings
Inventory	0.0
Manufacturer Name	SCHAEFFLER GROUP
Minimum Buy Quantity	N/A
Weight / Kilogram	0.01
Product Group	B04144
Rolling Element	Needle Roller Bearing



## Korean motorcyclist Co., Ltd

Component	Roller Assembly with Outer Ring - No Inner Ring
Enclosure	Open
Self Aligning	No
Retainer	Yes
Number of Rows of Rollers	Single Row
Separable	No
Closed End	No
Inch - Metric	Metric
Relubricatable	No
Thrust Bearing	No
Long Description	7MM Bore; 11MM Outside Diameter; 9MM Width; Needle Roller Bearing; Roller Assembly with Outer Ring - No Inner Ring; Open Enclosure; No Self Aligning; Retainer; Single Row of Rollers; No Separable; No
Other Features	2 Rib Outer Ring   Drawn Cup Bearing   Steel Cage
Category	Needle Non Thrust Roller Bearing
UNSPSC	31171512
Harmonized Tariff Code	8482.40.00.00
Noun	Bearing
Keyword String	Needle
Manufacturer URL	<a href="http://www.ina.com">http://www.ina.com</a>
Manufacturer Item Number	HK0709
Weight / LBS	0.006
Bore	0.276 Inch   7 Millimeter
Outside Diameter	0.433 Inch   11 Millimeter
Width	0.354 Inch   9 Millimeter