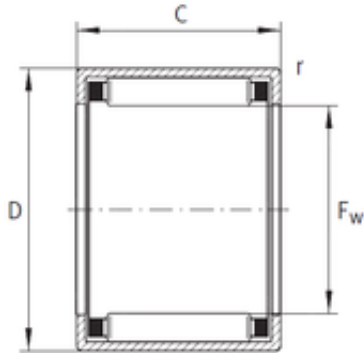




Korean motorcyclist Co., Ltd

INA SCE2212 Drawn Cup Needle Roller Bearings



Bearing No. SCE2212

SCE2212 Bearing 2D drawings and 3D CAD models

Size	34.925x41.275x19.05 mm
Bore Diameter	34,925 mm
Outer Diameter	41,275 mm
Width	19,05 mm
Fw	34,925 mm
D	41,275 mm
C	19,05 mm
Weight	0,039 Kg
Basic dynamic load rating (C)	21,5 kN
Basic static load rating (C0)	42,5 kN
Category	Needle Non Thrust Roller Bearings
Inventory	0.0
Manufacturer Name	SCHAEFFLER GROUP
Minimum Buy Quantity	N/A
Weight / Kilogram	0.04
EAN	4054364122232
Product Group	B04144
Rolling Element	Needle Roller Bearing
Component	Roller Assembly with Outer Ring - No Inner Ring
Enclosure	Open
Self Aligning	No
Retainer	Yes
Number of Rows of Rollers	Single Row



Korean motorcyclist Co., Ltd

Separable	No
Closed End	No
Inch - Metric	Inch
Relubricatable	No
Thrust Bearing	No
Long Description	1-3/8" Bore; 1-5/8" Outside Diameter; 3/4" Width; Needle Roller Bearing; Roller Assembly with Outer Ring - No Inner Ring; Open Enclosure; No Self Aligning; Yes Retainer; Single Row of R
Other Features	2 Rib Outer Ring Drawn Cup Bearing Steel Cage
Category	Needle Non Thrust Roller Bearing
UNSPSC	31171512
Harmonized Tariff Code	8482.40.00.00
Noun	Bearing
Keyword String	Needle
Manufacturer URL	http://www.ina.com
Manufacturer Item Number	SCE2212
Weight / LBS	0.086
Outside Diameter	1.625 Inch 41.275 Millimeter
Width	0.75 Inch 19.05 Millimeter
Bore	1.375 Inch 34.925 Millimeter