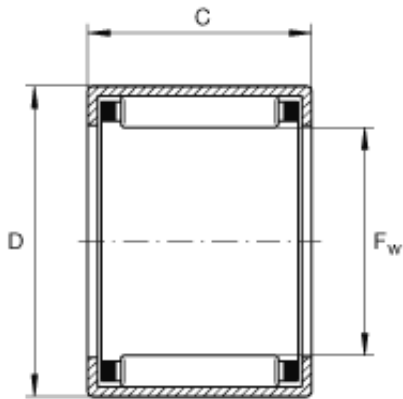




# Korean motorcyclist Co., Ltd

## INA SCE44 Drawn Cup Needle Roller Bearings



Bearing No. SCE44

SCE44 Bearing 2D drawings and 3D CAD models

Size	6.35x11.112x6.35 mm
Bore Diameter	6,35 mm
Outer Diameter	11,112 mm
Width	6,35 mm
$F_w$	1/4 inch
$F_w$	6,35 mm
D	0,437 inch
D	11,112 mm
C	0,25 inch
C	6,35 mm
m	0,005 lbs / Weight
m	2 g / Weight
$C_r$	360 lbf / Dynamic load rating (radial)
$C_r$	1600 N / Dynamic load rating (radial)
$C_{Or}$	260 lbf / Static load rating (radial)
$C_{Or}$	1170 N / Static load rating (radial)
$n_G$	35000 1/min / Limiting speed
$n_B$	26000 1/min / Reference speed
Category	Needle Non Thrust Roller Bearings
Inventory	0.0
Manufacturer Name	SCHAEFFLER GROUP



## Korean motorcyclist Co., Ltd

Minimum Buy Quantity	N/A
Weight / Kilogram	0
EAN	4012802070330
Product Group	B04144
Rolling Element	Needle Roller Bearing
Component	Roller Assembly with Outer Ring - No Inner Ring
Enclosure	Open
Self Aligning	No
Retainer	Yes
Number of Rows of Rollers	Single Row
Separable	No
Closed End	No
Inch - Metric	Inch
Relubricatable	No
Thrust Bearing	No
Long Description	1/4" Bore; 7/16" Outside Diameter; 1/4" Width; Needle Roller Bearing; Roller Assembly with Outer Ring - No Inner Ring; Open; Not Self Aligning; Retainer; Single Row of Rollers; Not Sepa
Other Features	2 Rib Outer Ring   Drawn Cup Bearing   Steel Cage
Category	Needle Non Thrust Roller Bearing
UNSPSC	31171512
Harmonized Tariff Code	8482.99.65.30
Noun	Roller Assembly with Outer Ring
Keyword String	Bearing Needle
Manufacturer URL	<a href="http://www.ina.com">http://www.ina.com</a>
Manufacturer Item Number	SCE44
Weight / LBS	0.005



## Korean motorcyclist Co., Ltd

Outside Diameter	0.438 Inch   11.125 Millimeter
Bore	0.25 Inch   6.35 Millimeter
Width	0.25 Inch   6.35 Millimeter