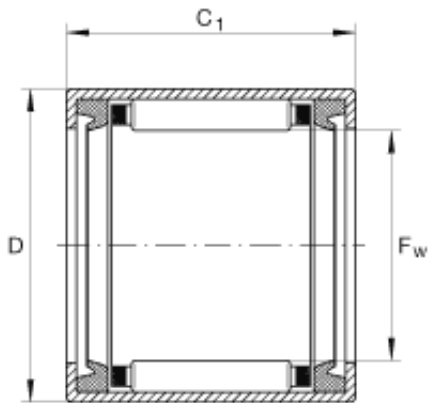




Korean motorcyclist Co., Ltd



INA SCE1212-PP Drawn Cup Needle Roller Bearings

Bearing No. SCE1212-PP

SCE1212-PP Bearing 2D drawings and 3D CAD models

Size	19.05x25.4x19.05 mm
Bore Diameter	19,05 mm
Outer Diameter	25,4 mm
Width	19,05 mm
F_w	3/4 inch
F_w	19,05 mm
D	1 inch
D	25,4 mm
C_1	0,75 inch
C_1	19,05 mm
m	0,045 lbs / Weight
m	20 g / Weight
C_r	2880 lbf / Dynamic load rating (radial)
C_r	12800 N / Dynamic load rating (radial)
C_{Or}	3930 lbf / Static load rating (radial)
C_{Or}	17500 N / Static load rating (radial)
n_G	13100 1/min / Limiting speed
n_B	9400 1/min / Reference speed
Category	Needle Non Thrust Roller Bearings
Inventory	1.0



Korean motorcyclist Co., Ltd

Manufacturer Name	SCHAEFFLER GROUP
Minimum Buy Quantity	N/A
Weight / Kilogram	0.025
EAN	4012802069693
Product Group	B04144
Rolling Element	Needle Roller Bearing
Component	Roller Assembly with Outer Ring - No Inner Ring
Enclosure	2 Seals
Self Aligning	No
Retainer	Yes
Number of Rows of Rollers	Single Row
Separable	No
Closed End	No
Inch - Metric	Inch
Relubricatable	No
Thrust Bearing	No
Long Description	3/4" Bore; 1" Outside Diameter; 3/4" Width; Needle Roller Bearing; Roller Assembly with Outer Ring - No Inner Ring; 2 Seals Enclosure; No Self Aligning; Yes Retainer; Single Row of Roll
Other Features	2 Rib Outer Ring Drawn Cup Bearing Steel Cage
Category	Needle Non Thrust Roller Bearing
UNSPSC	31171512
Harmonized Tariff Code	8482.40.00.00
Noun	Bearing
Keyword String	Needle
Manufacturer URL	http://www.ina.com
Manufacturer Item Number	SCE1212PP



Korean motorcyclist Co., Ltd

Weight / LBS	0.045
Bore	0.75 Inch 19.05 Millimeter
Outside Diameter	1 Inch 25.4 Millimeter
Width	0.75 Inch 19.05 Millimeter