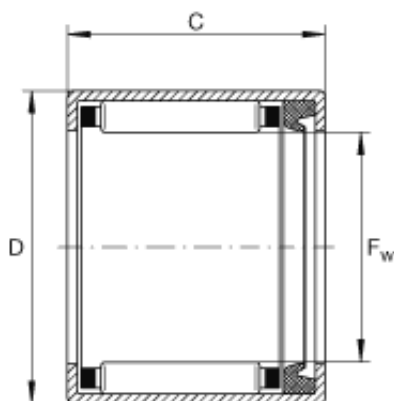




Korean motorcyclist Co., Ltd



INA SCE1011-P Drawn Cup Needle Roller Bearings

Bearing No. SCE1011-P

SCE1011-P Bearing 2D drawings and 3D CAD models

Size	15.875x20.638x17.46 mm
Bore Diameter	15,875 mm
Outer Diameter	20,638 mm
Width	17,46 mm
F_w	5/8 inch
F_w	15,875 mm
D	0,813 inch
D	20,638 mm
C	0,687 inch
C	17,46 mm
m	0,026 lbs / Weight
m	12 g / Weight
C_r	2330 lbf / Dynamic load rating (radial)
C_r	10400 N / Dynamic load rating (radial)
C_{0r}	3660 lbf / Static load rating (radial)
C_{0r}	16300 N / Static load rating (radial)
n_G	16000 1/min / Limiting speed
n_B	11000 1/min / Reference speed
Category	Needle Non Thrust Roller Bearings
Inventory	0.0



Korean motorcyclist Co., Ltd

Manufacturer Name	SCHAEFFLER GROUP
Minimum Buy Quantity	N/A
Weight / Kilogram	0
Product Group	B04144
Rolling Element	Needle Roller Bearing
Component	Roller Assembly with Outer Ring - No Inner Ring
Enclosure	1 Seal
Self Aligning	No
Retainer	Yes
Number of Rows of Rollers	Single Row
Separable	No
Closed End	No
Inch - Metric	Inch
Relubricatable	No
Thrust Bearing	No
Long Description	5/8" Bore; 13/16" Outside Diameter; 11/16" Width; Needle Roller Bearing; Roller Assembly with Outer Ring - No Inner Ring; 1 Seal; Not Self Aligning; Retainer; Single Row of Rollers; Not
Other Features	2 Rib Outer Ring Drawn Cup Bearing Steel Cage
Category	Needle Non Thrust Roller Bearing
UNSPSC	31171512
Harmonized Tariff Code	8482.99.65.30
Noun	Roller Assembly with Outer Ring
Keyword String	Bearing Needle
Manufacturer URL	http://www.ina.com
Manufacturer Item Number	SCE1011P
Weight / LBS	0.026



Korean motorcyclist Co., Ltd

Outside Diameter	0.813 Inch 20.65 Millimeter
Bore	0.625 Inch 15.875 Millimeter
Width	0.688 Inch 17.475 Millimeter