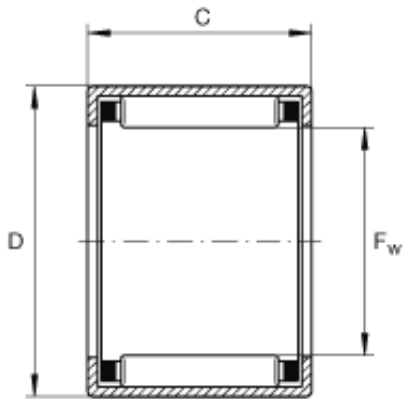




Korean motorcyclist Co., Ltd

INA SCE85 Drawn Cup Needle Roller Bearings



Bearing No. SCE85

SCE85 Bearing 2D drawings and 3D CAD models

Size	12.7x17.462x7.938 mm
Bore Diameter	12,7 mm
Outer Diameter	17,462 mm
Width	7,938 mm
F_w	1/2 inch
F_w	12,7 mm
D	0,687 inch
D	17,462 mm
C	0,313 inch
C	7,938 mm
m	0,009 lbs / Weight
m	4 g / Weight
C_r	820 lbf / Dynamic load rating (radial)
C_r	3650 N / Dynamic load rating (radial)
C_{Or}	890 lbf / Static load rating (radial)
C_{Or}	3950 N / Static load rating (radial)
n_G	19500 1/min / Limiting speed
n_B	14200 1/min / Reference speed
Category	Needle Non Thrust Roller Bearings
Inventory	0.0
Manufacturer Name	SCHAEFFLER GROUP



Korean motorcyclist Co., Ltd

Minimum Buy Quantity	N/A
Weight / Kilogram	0
EAN	4012802070705
Product Group	B04144
Rolling Element	Needle Roller Bearing
Component	Roller Assembly with Outer Ring - No Inner Ring
Enclosure	Open
Self Aligning	No
Retainer	Yes
Number of Rows of Rollers	Single Row
Separable	No
Closed End	No
Inch - Metric	Inch
Relubricatable	No
Thrust Bearing	No
Long Description	1/2" Bore; 11/16" Outside Diameter; 5/16" Width; Needle Roller Bearing; Roller Assembly with Outer Ring - No Inner Ring; Open; Not Self Aligning; Retainer; Single Row of Rollers; Not Se
Other Features	2 Rib Outer Ring Drawn Cup Bearing Steel Cage
Category	Needle Non Thrust Roller Bearing
UNSPSC	31171512
Harmonized Tariff Code	8482.99.65.30
Noun	Roller Assembly with Outer Ring
Keyword String	Bearing Needle
Manufacturer URL	http://www.ina.com
Manufacturer Item Number	SCE85
Weight / LBS	0.009



Korean motorcyclist Co., Ltd

Bore	0.5 Inch 12.7 Millimeter
Width	0.312 Inch 7.925 Millimeter
Outside Diameter	0.688 Inch 17.475 Millimeter