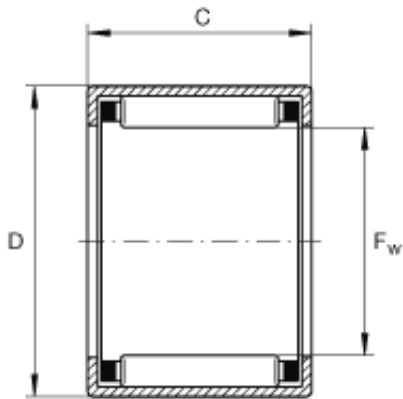




Korean motorcyclist Co., Ltd



INA SCE610 Drawn Cup Needle Roller Bearings

Bearing No. SCE610

SCE610 Bearing 2D drawings and 3D CAD models

Size	9.525x14.288x15.875 mm
Bore Diameter	9,525 mm
Outer Diameter	14,288 mm
Width	15,875 mm
F_w	3/8 inch
F_w	9,525 mm
D	0,563 inch
D	14,288 mm
C	0,625 inch
C	15,875 mm
m	0,015 lbs / Weight
m	7 g / Weight
C_r	1660 lbf / Dynamic load rating (radial)
C_r	7400 N / Dynamic load rating (radial)
C_{0r}	2040 lbf / Static load rating (radial)
C_{0r}	9100 N / Static load rating (radial)
n_G	25000 1/min / Limiting speed
n_B	17100 1/min / Reference speed
Category	Needle Non Thrust Roller Bearings
Inventory	0.0



Korean motorcyclist Co., Ltd

Manufacturer Name	SCHAEFFLER GROUP
Minimum Buy Quantity	N/A
Weight / Kilogram	0.01
EAN	4012802070477
Product Group	B04144
Rolling Element	Needle Roller Bearing
Component	Roller Assembly with Outer Ring - No Inner Ring
Enclosure	Open
Self Aligning	No
Retainer	Yes
Number of Rows of Rollers	Single Row
Separable	No
Closed End	No
Inch - Metric	Inch
Relubricatable	No
Thrust Bearing	No
Long Description	3/8" Bore; 9/16" Outside Diameter; 5/8" Width; Needle Roller Bearing; Roller Assembly with Outer Ring - No Inner Ring; Open; Not Self Aligning; Retainer; Single Row of Rollers; Not Sepa
Other Features	2 Rib Outer Ring Drawn Cup Bearing Steel Cage
Category	Needle Non Thrust Roller Bearing
UNSPSC	31171512
Harmonized Tariff Code	8482.99.65.30
Noun	Roller Assembly with Outer Ring
Keyword String	Bearing Needle
Manufacturer URL	http://www.ina.com
Manufacturer Item Number	SCE610



Korean motorcyclist Co., Ltd

Weight / LBS	0.015
Bore	0.375 Inch 9.525 Millimeter
Outside Diameter	0.563 Inch 14.3 Millimeter
Width	0.625 Inch 15.875 Millimeter