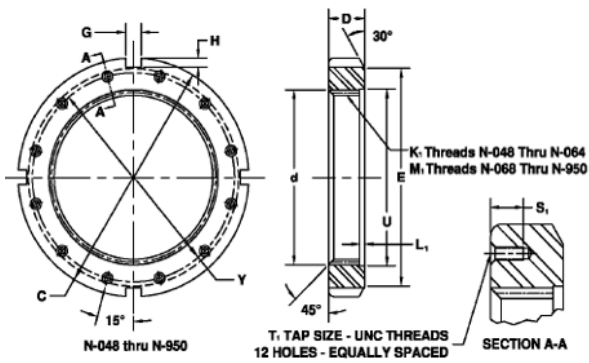




Korean motorcyclist Co., Ltd

Timken N-076 Bearing Lock Nuts

Bearing No. N-076



Major Diameter d	14.957 in
Threads No. per Inch	5
C	17.755 in
D	1.916 in
E	16.625 in
G	1.23 in
H	0.604 in
U	14.973 in
L1	0.375 in
Y	16.485 in
T1	1/2-13
S1	0.875 in

N-076 Bearing 2D drawings and 3D CAD models