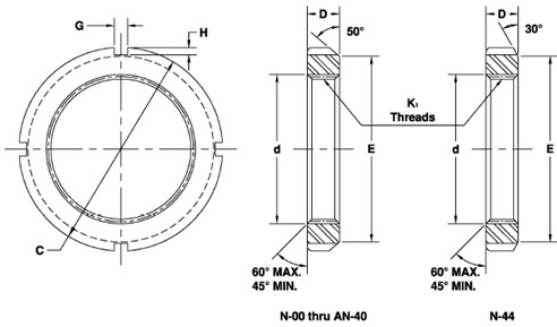




# Korean motorcyclist Co., Ltd

## Timken N-022 Bearing Lock Nuts



Bearing No. N-022

Major Diameter d	4.325 in
Threads No. per Inch	12
C	5.318 in
D	0.791 in
E	4.901 in
G	0.485 in
H	0.198 in

N-022 Bearing 2D drawings and 3D CAD models