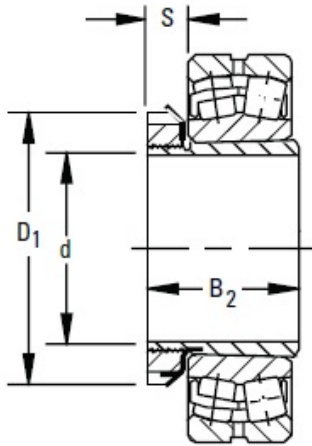




# Korean motorcyclist Co., Ltd



## Timken SNW-113 X 2 3/16 Bearing Adapter Sleeves

Bearing No. SNW-113 X 2 3/16

|                           |               |
|---------------------------|---------------|
| Series                    | 223K and 232K |
| Diameter d                | 2 3/16 in     |
| Taper                     | 1:12          |
| SNW/SNP Assembly Weight   | 1.23 lb       |
| Tolerance <sup>1</sup>    | -0.004 in     |
| B <sub>2</sub>            | 2.761 in      |
| S                         | 0.626 in      |
| D <sub>1</sub>            | 3.380 in      |
| Sleeve                    | S-113         |
| Locknut                   | N-13          |
| Lockwasher and Lockplates | W-13          |

SNW-113 X 2 3/16 Bearing 2D drawings and 3D CAD models