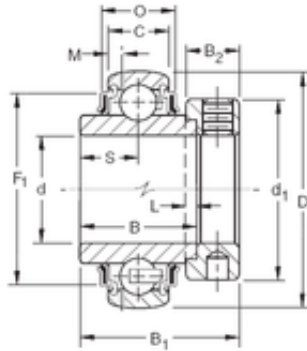




# Korean motorcyclist Co., Ltd

G-KRRB Two Seals  
Spherical O.D.



## 49,2125 mm x 90 mm x 49,21 mm Timken G1115KRRB Ball Insert Bearings

Bearing No. G1115KRRB

Size	49.2125x90x49.21 mm
Bore Diameter	49,2125 mm
Outer Diameter	90 mm
Width	49,21 mm
d	49,2125 mm
D	90 mm
B	49,21 mm
C	23 mm
P	27,51 mm
O	77,7 mm
d1	69,9 mm
B1	4,7 mm
B2	18,3 mm
L	4,8 mm
S	24,6 mm
F1	62,7 mm
Weight	1,016 Kg
Basic dynamic load rating (C)	39,2 kN

G1115KRRB Bearing 2D drawings and 3D CAD models