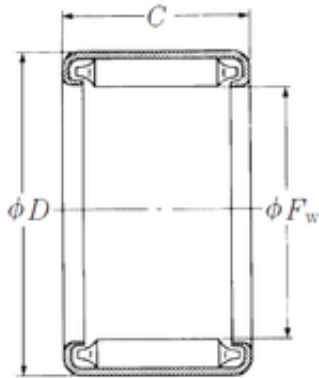




## Korean motorcyclist Co., Ltd



GATES B-128 LAWNMOWER V BELT - 5/8 X 131". - NOS.

Bearing No. B-128

|                               |                    |
|-------------------------------|--------------------|
| Size                          | 19.05x25.4x12.7 mm |
| Bore Diameter                 | 19,05 mm           |
| Outer Diameter                | 25,4 mm            |
| Width                         | 12,7 mm            |
| Fw                            | 19,05 mm           |
| D                             | 25,4 mm            |
| C                             | 12,7 mm            |
| Weight                        | 0,015 Kg           |
| Basic dynamic load rating (C) | 13,5 kN            |

B-128 Bearing 2D drawings and 3D CAD models